

Fast-Cure® Anaerobic Adhesive-Style Connectors

APPLICATION

Fast-Cure anaerobic adhesive-style connectors are designed for quick and easy termination in the field. Fast-Cure connectors are available in single-mode and multimode versions in LC, SC, and ST® styles. Fast-Cure connectors are designed for indoor and outdoor applications where reliability, durability, and ease of installation are an important consideration. Typical installations are in premise LAN environments, or anywhere adhesive-style connectors are specified.



Pictured (left to right): ST Connector, SC Connector, and LC Connector.

SPECIFICATION

The Fast-Cure anaerobic adhesive-style fiber optic connector shall meet or exceed the requirements described in ANSI/TIA-568-C.3 and 604 standards. The connector shall be field-polished, field-installable, and does not require a curing oven or proprietary tool to facilitate the termination of the fiber. The connector shall be available in LC, SC, or ST single-mode or multimode configurations terminated on 900 µm buffered fiber or 3-mm jacketed fiber. Typical connector insertion loss shall be 0.2dB. Typical connector return loss shall be greater than 25dB (multimode) and 55dB (single-mode).

FEATURES

- Typical termination in less than three minutes
- Low insertion loss connection
- Higher fiber retention than mechanical connectors
- No curing oven or proprietary tool required
- Compatible with MOS, QuickPort®, SDX, and LightSpace® adapter plates
- Accessory for duplex clip sold separately

DESIGN CONSIDERATIONS

- Single-mode and multimode versions
- Precision pre-radiused zirconia ferrules
- Supports 900 µm buffered fiber or 3-mm jacketed fiber
- High cable retention crimp for jacketed fiber
- Recommended for indoor and outdoor usage
- Body of ST connectors are metal

PERFORMANCE SPECIFICATIONS

Parameter	Value
Insertion Loss (Single-mode or Multimode)	Typical: 0.2dB Max: <0.3dB
Return Loss (Single-mode)	Typical: >55dB
Return Loss (Multimode)	Typical: >25dB
Operating Temperature	-40 °C to +85 °C

STANDARDS COMPLIANCE

- Meets ANSI/TIA-568-C.3 performance requirements
- Meets ANSI/TIA-604-2 (ST), -3 (SC), -10A (LC) Connector Intermateability Standards
- Meets GR-326; General Requirement for Single-mode Connectors

COUNTRY OF ORIGIN

Taiwan

WARRANTY INFORMATION

For a copy of Leviton product warranties, visit www.leviton.com/warranty.

49990-xxx, 49800-xxx

Leviton Network Solutions

2222 - 222nd St. SE
Bothell, WA 98021-4416

tel 1-800-824-3005
tel +1-425-486-2222
appeng@leviton.com
www.leviton.com

Asia / Pacific

T +1.631.812.6228
E infoasean@leviton.com

Europe

T +33.6.8869.1380
E infoeurope@leviton.com

Canada

T +1.514.954.1840
E pcservice@leviton.com

India / SAARC

T +971.4.886.4722
E infoindia@leviton.com

Caribbean

T +1.954.593.1896
E infocaribbean@leviton.com

Mexico

T +52.55.5082.1040
E lsamarketing@leviton.com

China

T +852.2774.9876
E infochina@leviton.com

Middle East & Africa

T +971.4.886.4722
E lmeinfo@leviton.com

Colombia

T +57.1.743.6045
E infocolombia@leviton.com

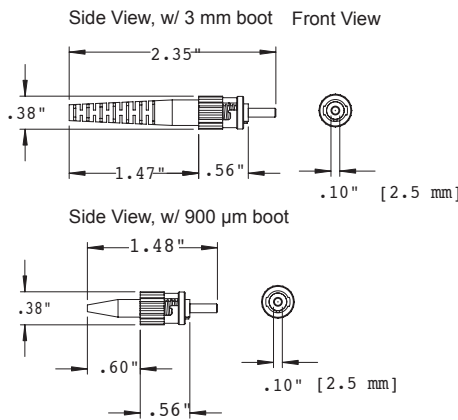
South Korea

T +82.2.3273.9963
E infokorea@leviton.com

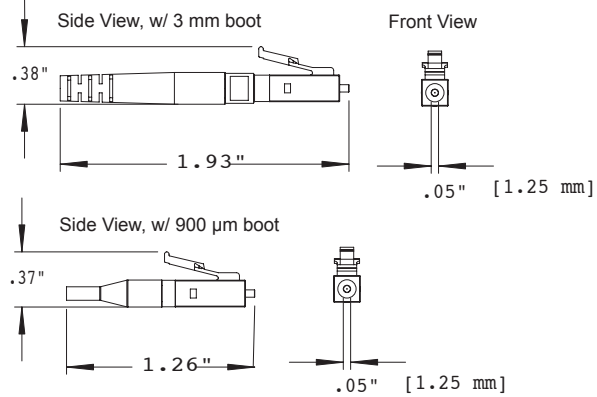
ELECTRONIC FILES

For CAD files, typical specs, or technical drawings (.DXF, .DWG), visit www.leviton.com.

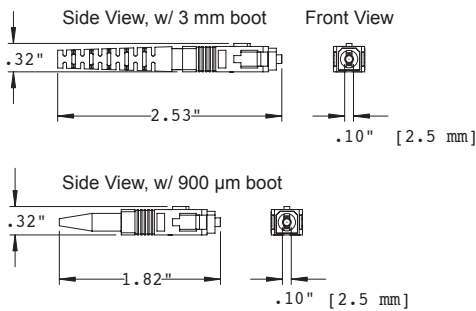
Fast-Cure ST® Connector



Fast-Cure LC Connector



Fast-Cure SC Connector



49990-xxx, 49800-xxx

LEVITON FAST-CURE CONNECTORS

Description	Part No.
Fast-Cure LC Multimode, beige w/ 3 mm boot	49990-ML2
Fast-Cure LC LOMM, aqua w/ 3 mm boot	49990-LL2
Fast-Cure LC Multimode, beige w/ 900 µm boot	49990-MDL
Fast-Cure LC LOMM, aqua w/ 900 µm boot	49990-LDL
Fast-Cure LC Single-mode, blue w/ 3 mm boot	49990-SL2
Fast-Cure LC Single-mode, blue w/ 900 µm boot	49990-SDL
Fast-Cure SC Multimode, beige	49990-MSC
Fast-Cure SC LOMM, aqua	49990-LSC
Fast-Cure SC Single-mode, blue	49990-SSC
Fast-Cure ST® Multimode	49990-MST
Fast-Cure ST Single-mode	49990-SST

LEVITON TOOLKITS & ACCESSORIES

Description	Part No.
Light Tool Kit	49800-MTK
Fast-Cure Tool Kit	49800-FTK
Consumable Kit	49800-CON
LC Duplex Clip, beige, MM (bag of 25)	49886-DLM
LC Duplex Clip, blue, SM (bag of 25)	49886-DLS
SC Duplex Clip, black (bag of 25)	49886-DSC

NOTE: Both single-mode and multimode SC and ST connectors come with a 3-mm and 900 µm boot. Please visit www.leviton.com/fiber for a detailed look at what is included in each kit.

ST is a registered trademark of AT&T Inc.



Leviton Network Solutions
2222 - 222nd St. SE
Bothell, WA 98021-4416

Asia / Pacific
T +1.631.812.6228
E infoasean@leviton.com

Canada
T +1.514.954.1840
E pcservice@leviton.com

Caribbean
T +1.954.593.1896
E infocaribbean@leviton.com

China
T +852.2774.9876
E infochina@leviton.com

Colombia
T +57.1.743.6045
E infocolombia@leviton.com

tel 1-800-824-3005
tel +1-425-486-2222
appeng@leviton.com
www.leviton.com

Europe
T +33.6.8869.1380
E infoeurope@leviton.com

India / SAARC
T +971.4.886.4722
E infoindia@leviton.com

Mexico
T +52.55.5082.1040
E Isamarketing@leviton.com

Middle East & Africa
T +971.4.886.4722
E lmeinfo@leviton.com

South Korea
T +82.2.3273.9963
E infokorea@leviton.com