

NOTES:

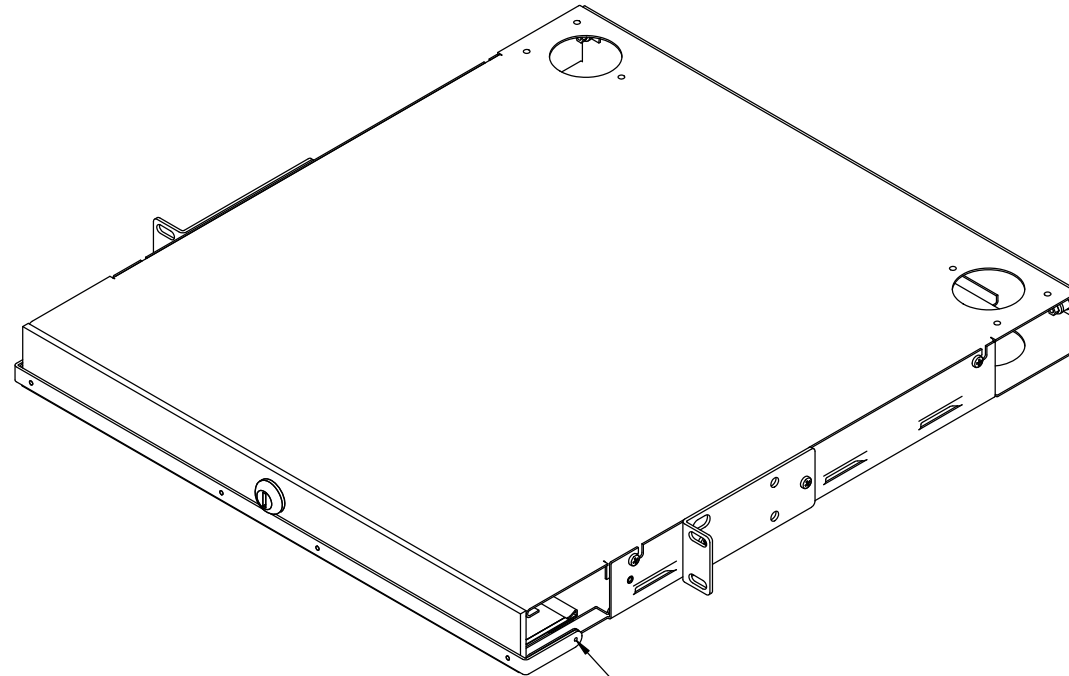
1. DIMENSIONS ARE INCHES.
2. THE FIBER CABINET PART NUMBER CONSISTS OF A BASE PART NUMBER AND ADDITIONAL IDENTIFIERS AS SEEN IN THE TABLES 1 THRU 4, BELOW.
3. THE STANDARD PANEL ORIENTATION IS HORIZONTAL.
4. THE STANDARD CABINET CLOSURE IS FRONT LOCK, REAR LATCH.
5. THE STANDARD CABINET COLOR IS BLACK.
6. THE CABINET ASSEMBLY INCLUDES HOOK/LOOP TIE WRAPS, MOUNTING BRACKETS, AND ACCESSORY KIT AS UNINSTALLED ITEMS PACKED INSIDE FOR SHIPPING.

TABLE 1	
"W"	CABINET STYLE
C	PATCH/SPLICE
P	PATCH
S	SPLICE
-M	HIGH DENSITY

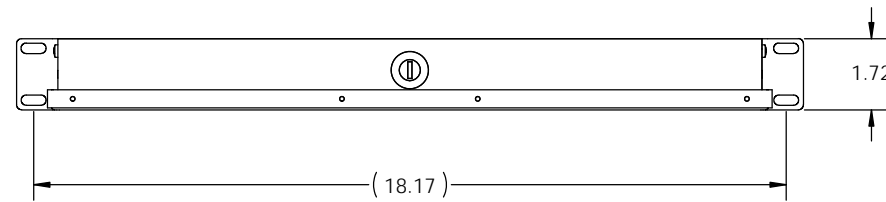
TABLE 2	
"X"	ORIENTATION
NONE	HORIZONTAL
H	HORIZONTAL
N	NO DWRFACE REOD

TABLE 3	
"Y"	FRONT/REAR CLOSURE
NONE	LOCK/NONE
A	LOCK/NONE
C	LATCH/NONE

TABLE 4	
"Z"	COLOR
NONE	BLACK
-00	BLACK

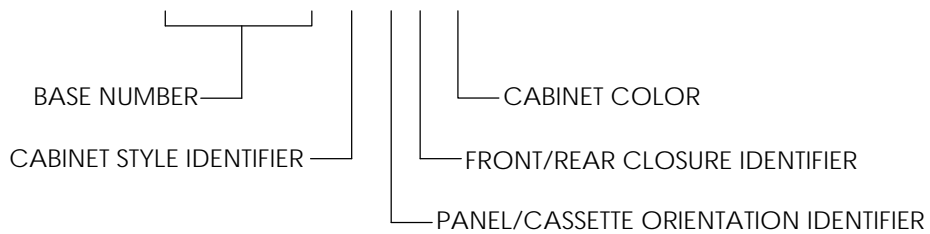


HINGED FRONT DOOR FOR MAXIMUM ACCESS.



CABINET FRONT VIEW

FC01U-WXY-Z

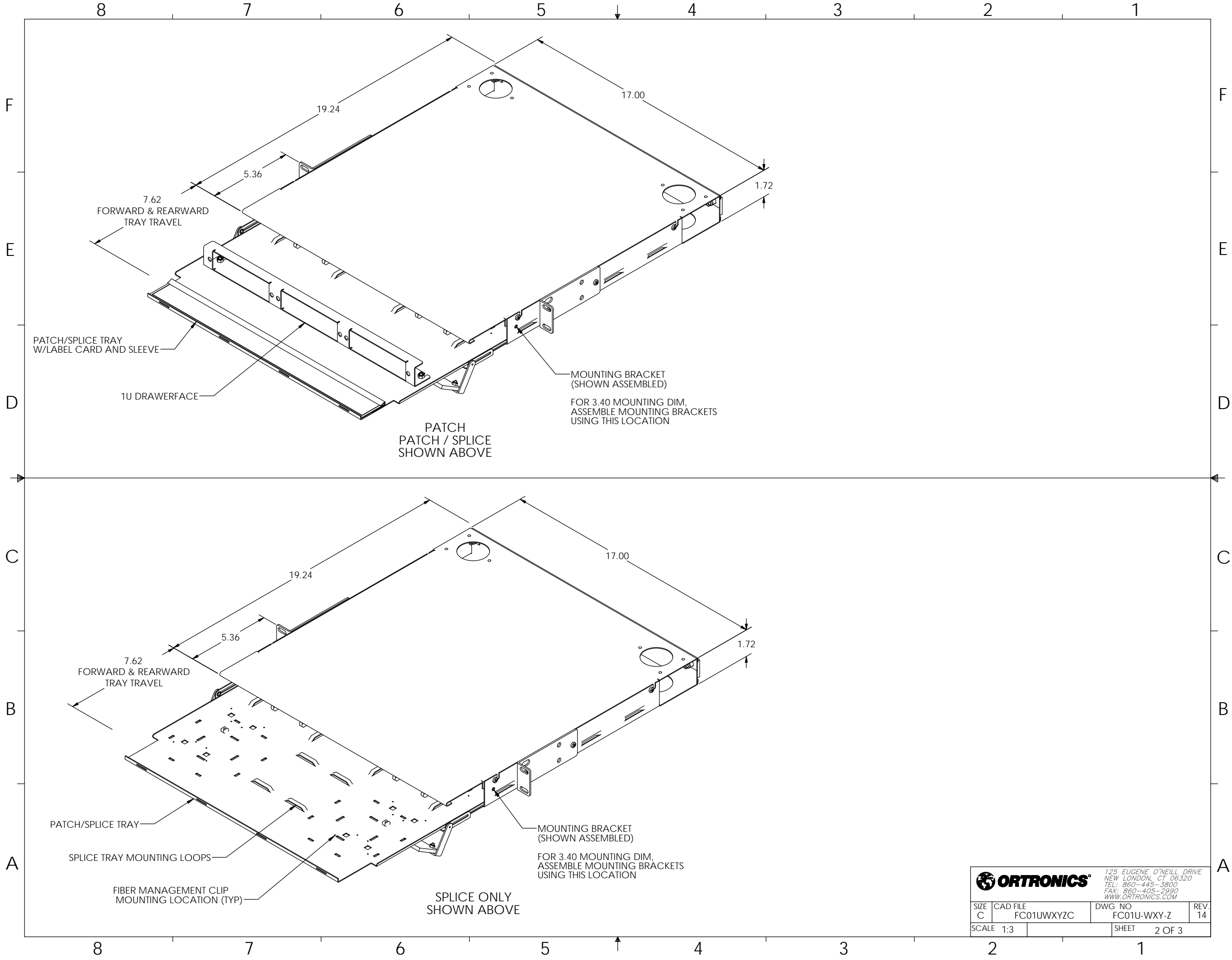


PART NUMBER LEGEND

*** NOTICE ***
 THIS DOCUMENT CONTAINS CONFIDENTIAL AND/OR PROPRIETARY INFORMATION INTENDED FOR USE ONLY BY THE INDIVIDUAL(S) PROVIDED. NEITHER THIS DOCUMENT, NOR ANY INFORMATION CONTAINED HEREIN, MAY BE COPIED, DISTRIBUTED, DISCLOSED TO ANY THIRD PARTY OR USED IN ANY MANNER OTHER THAN FOR WHICH IT HAS BEEN PROVIDED, WITHOUT THE PRIOR WRITTEN CONSENT OF ORTRONICS, INC. MANUFACTURING RELEASE. PRODUCT SPECIFICATIONS AND STANDARDS ARE SUBJECT TO CHANGE WITHOUT NOTICE.

	NAME	DATE
DWN	RYNASKI	5/24/2005
CHK	AM	5/25/2005
APPR	MEM	5/26/2005

ORTRONICS		125 EUGENE O'NEILL DRIVE NEW LONDON, CT 06320 TEL: 860-445-3800 FAX: 860-405-2990 WWW.ORTRONICS.COM	
TITLE ENCLOSURE ASSEMBLY, FIBER, 1U ENHANCED			
SIZE C	CAD FILE FC01UWXYZC	DWG NO FC01U-WXY-Z	REV 14
SCALE 1:3		SHEET 1 OF 3	



7.62
FORWARD & REARWARD
TRAY TRAVEL

PATCH/SPLICE TRAY
W/LABEL CARD AND SLEEVE

1U DRAWERFACE

MOUNTING BRACKET
(SHOWN ASSEMBLED)

FOR 3.40 MOUNTING DIM,
ASSEMBLE MOUNTING BRACKETS
USING THIS LOCATION

PATCH
PATCH / SPLICE
SHOWN ABOVE

7.62
FORWARD & REARWARD
TRAY TRAVEL

PATCH/SPLICE TRAY

SPLICE TRAY MOUNTING LOOPS

FIBER MANAGEMENT CLIP
MOUNTING LOCATION (TYP)

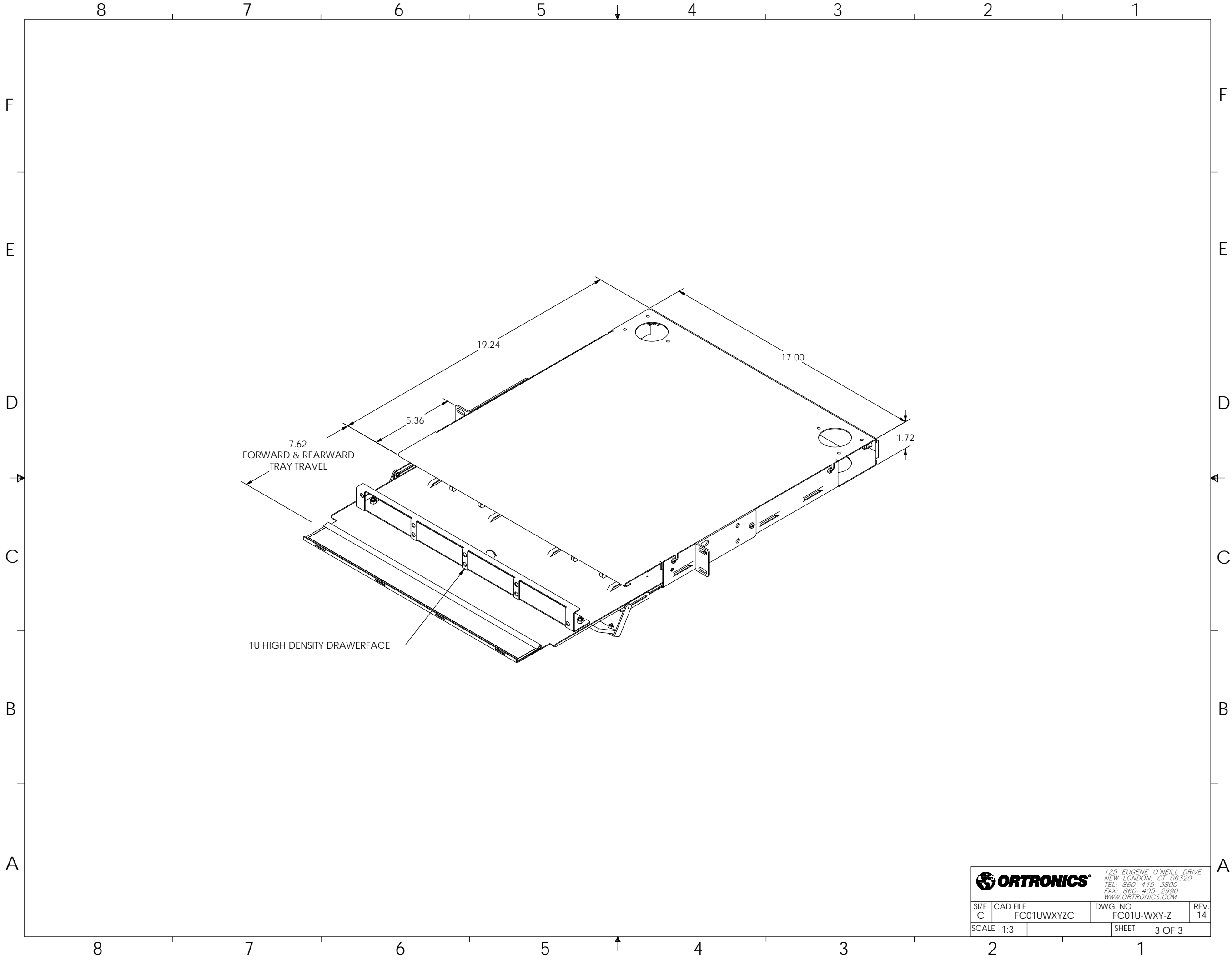
MOUNTING BRACKET
(SHOWN ASSEMBLED)

FOR 3.40 MOUNTING DIM,
ASSEMBLE MOUNTING BRACKETS
USING THIS LOCATION

SPLICE ONLY
SHOWN ABOVE

ORTRONICS
125 EUGENE O'NEILL DRIVE
NEW LONDON, CT 06320
TEL: 860-445-3800
FAX: 860-405-2990
WWW.ORTRONICS.COM

SIZE C	CAD FILE FC01UWXYZC	DWG NO FC01U-WXY-Z	REV. 14
SCALE 1:3	SHEET 2 OF 3		



125 EUGENE O'NEILL DRIVE
 NEW LONDON, CT 06320
 TEL: 860-445-3800
 FAX: 860-405-2990
 WWW.ORTRONICS.COM

SIZE C	CAD FILE FC01UWXYZC	DWG NO FC01U-WXY-Z	REV. 14
SCALE 1:3	SHEET 3 OF 3		