

DATA SHEET

Q-Series Standard Density Rackmount Fiber Enclosure



Overview

The Q-Series fiber enclosure system is designed to support standard density applications in building networks. The all steel chassis enables reliable protection and management of fiber optic cable patching, splicing, and connecting. The enclosure also enables distribution of backbone cabling to active equipment, switching, or cross/interconnect horizontal area. The footprint accommodates up to 72 LC fibers in per RU, accepting OFP adapter panels, M2 pre-terminated cassettes, and splice cassettes.

Features

- **Highly Accessible:** Front and rear doors along with removable top panels give appreciable access to the enclosure when patching and dressing cables
- **Simplified Installation:** The rack-mount brackets feature an open-ended ear design to allow the enclosure to rest on pre-mounted screws in the rack for a one-person installation
- **Versatile Installation:** Compatible with OFP adapter panels, M2 pre-terminated cassettes and M2 splice cassettes
- Max number of fibers per RU (SC) - 36
- Max number of fibers per RU (LC) - 72
- Max number of fibers per RU (12F MPO) - 288
- Max number of fibers per RU (24F MPO) - 576
- Cassette / Adapter panels per RU - 3

Part Number	Description
EQ01U-CHC	Q-Series 1U Standard Density (SD) Rackmount Fiber Enclosure
EQ02U-CHC	Q-Series 2U Standard Density (SD) Rackmount Fiber Enclosure
EQ04U-CVC	Q-Series 4U Standard Density (SD) Rackmount Fiber Enclosure

Dimensions

Part Number	Depth (Metric)	Depth (US)	Height (Metric)	Height (US)	Width (Metric)
EQ01U-CHC	485.90mm	19.13 in.	44.45mm	1.75 in.	434.85mm
EQ02U-CHC	485.90mm	19.13 in.	88.90mm	3.50 in.	434.85mm
EQ04U-CVC	485.90mm	19.13 in.	177.80mm	7.00 in.	434.85mm

DATA SHEET

Q-Series Standard Density Rackmount Fiber Enclosure

General Information

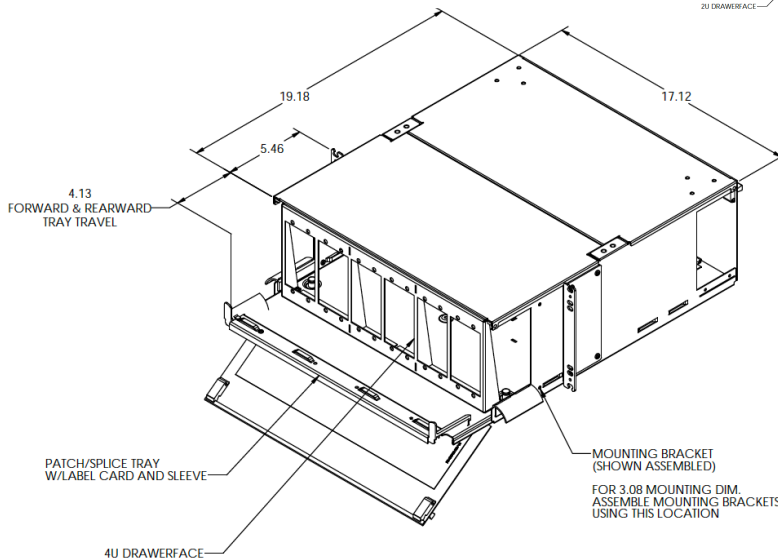
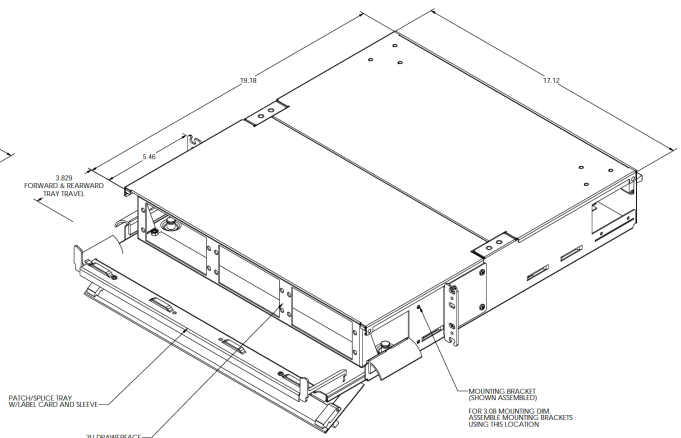
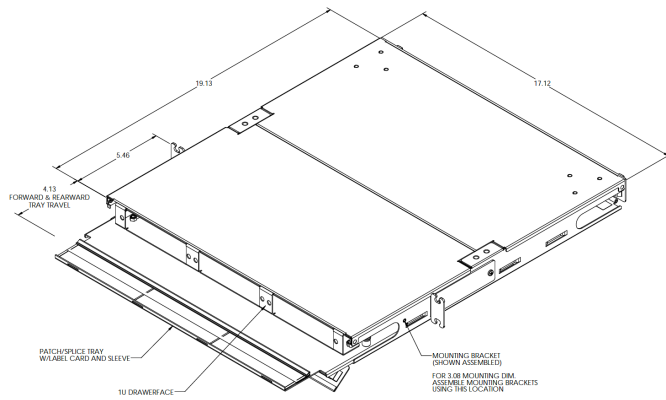
- Color: Black
- Installation: Rack or Cabinet
- Product Series: Q-Series
- Type: Standard Density Fiber Enclosure

Listing Agencies/Third Party Certifications

- RoHS: Yes

Technical Information

- Mounting Hardware Included: Yes
- Cassette / Adapter Panel Capacity per RU: 3
- SC - Fiber Capacity Per RU: 36
- LC - Fiber Capacity Per RU: 72
- 12F MPO - Fiber Capacity Per RU: 216
- 24F MPO - Fiber Capacity Per RU: 432



Legrand, North and Central America

60 Woodlawn Street
West Hartford, CT 06110
1.877.BY.LEGRAND (295.3472)
www.legrand.us