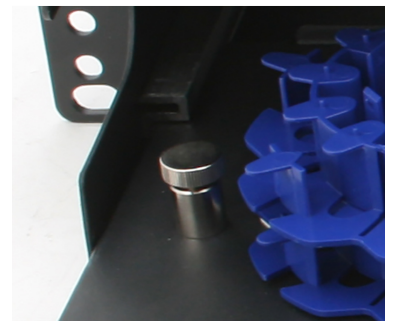
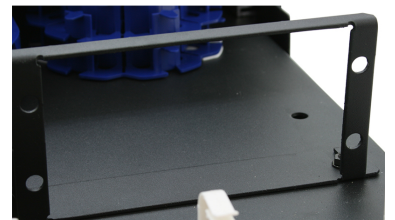


AM2U Sliding Patch Panel - 6 Position Modular



This innovative, robust, 2U sliding panel with a smoked plexi glass hinged front door. This panel has been designed to accept up to 6 LGX style assemblies.

With the ability to use a full array of adapter types, this panel offers a flexible solution to the end user, enabling them to incorporate a multi functional chassis that allows easy access during installation or rework with no disturbance of the existing cable or fibers.

In the addition to the array of adapters the panel also offers multiple cable entry solutions, MTP trunk cables connected to 6 individual MTP cassettes with up to 24 fibers in each, loose tube cable to be spliced into standard splice cassettes to allow standard splicing or pre terminated solutions, making this panel one of the most flexible on the market.

FEATURES/BENEFITS

- Up to 6 LGX components in 2U
- 19" and 23" Rack mountable
- Sliding tray for ease of installation
- Integrated Sprung loaded tray stop
- Up to 6 x 24 fiber MTP cassettes
- Multiple adapter options available
- Side Patch cord exit
- Hinged front plexi glass door
- Removable top cover
- Accepts loose tube, distribution cable and MTP® trunk cable
- RoHS, REACH SvHC

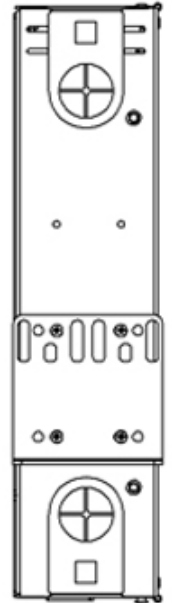
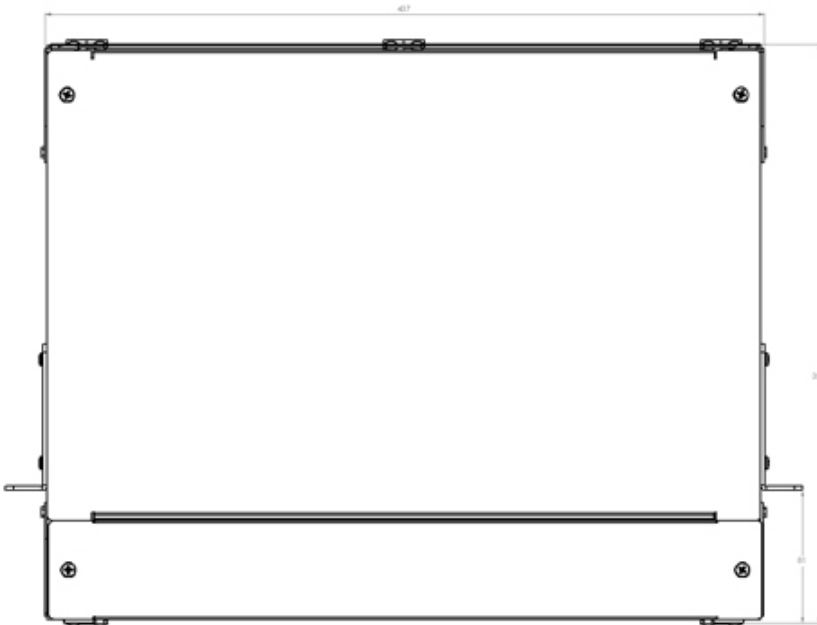
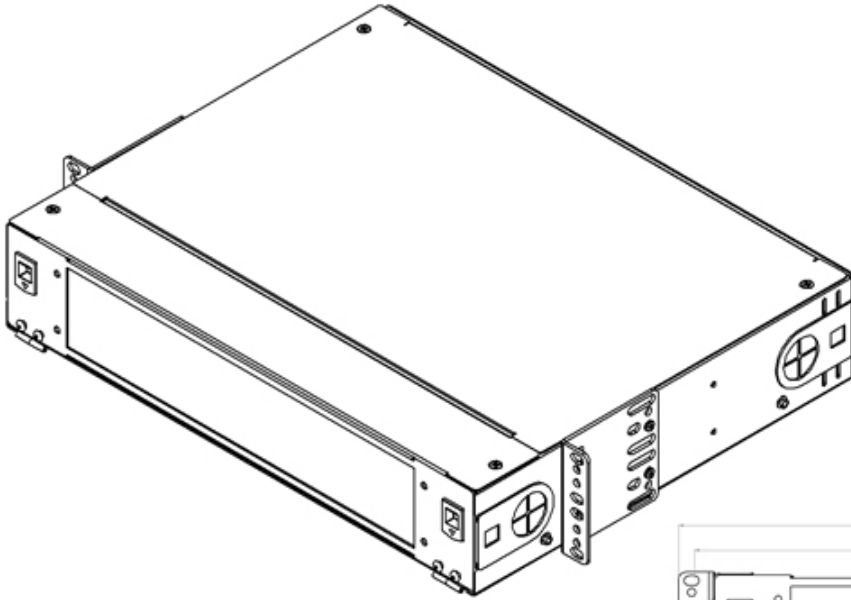
APPLICATIONS

- Data centers, premise installations, telecommunication networks
- Ethernet, Fiber Channel, ATM, LAN, MAN and WAN
- Data communication and telecommunication networks
- Indoor applications

SPECIFICATIONS

2U MODULAR PATCH PANEL CHASSIS

Height	2U (8.89cm)
Width	432mm
Depth	356mm
Net weight	7.5kgs
Packaged weight	8.0kgs
Packaged dimensions	510mm (W) x 450mm (L) X 170mm (H)
Suitable for Adaptor type	LGX / MTP Cassettes
Number of Module Positions	6
IP Rating	IP20
Material	Cold- rolled steel
Material thickness	1.2mm
Material Finish	Powder coating
Colour	RAL 9004
Operating temperature	-40°C to +60°C
Designed in accordance with	TIA/EIA 568.C, ISO/IEC 11801, EN50173, IEC60304, IEC61754,
Compliant to	RoHS, Reach/SVHC



ORDERING INFORMATION

	DESCRIPTION	PART NO.
2U - AM Style Sliding Patch Panel		AM2U

SCAN QR FOR PRODUCT
PAGE



FURTHER INFORMATION

- For additional information please contact your sales representative
- To view the product 360 visit the product page (Scan the QR code or visit the link below)
- Downloaded from <https://www.aflhyperscale.com/product/am2u-panel>
- AFL Hyperscale reserves the right to make changes in this datasheet at any time without notice
- Information in this document is correct as of July 16, 2019

Europe

+44 (0) 1908 441 144
emeasales@aflhyperscale.com
© AFL Hyperscale 2019

Americas

+1 800 790 9932
usasales@aflhyperscale.com

Middle East & Africa

+971 4 404 9606
mesales@aflhyperscale.com

India

+91 80 46874687
indiasales@aflhyperscale.com

Asia Pacific

+86 755 2561 3694
apacsales@aflhyperscale.com